

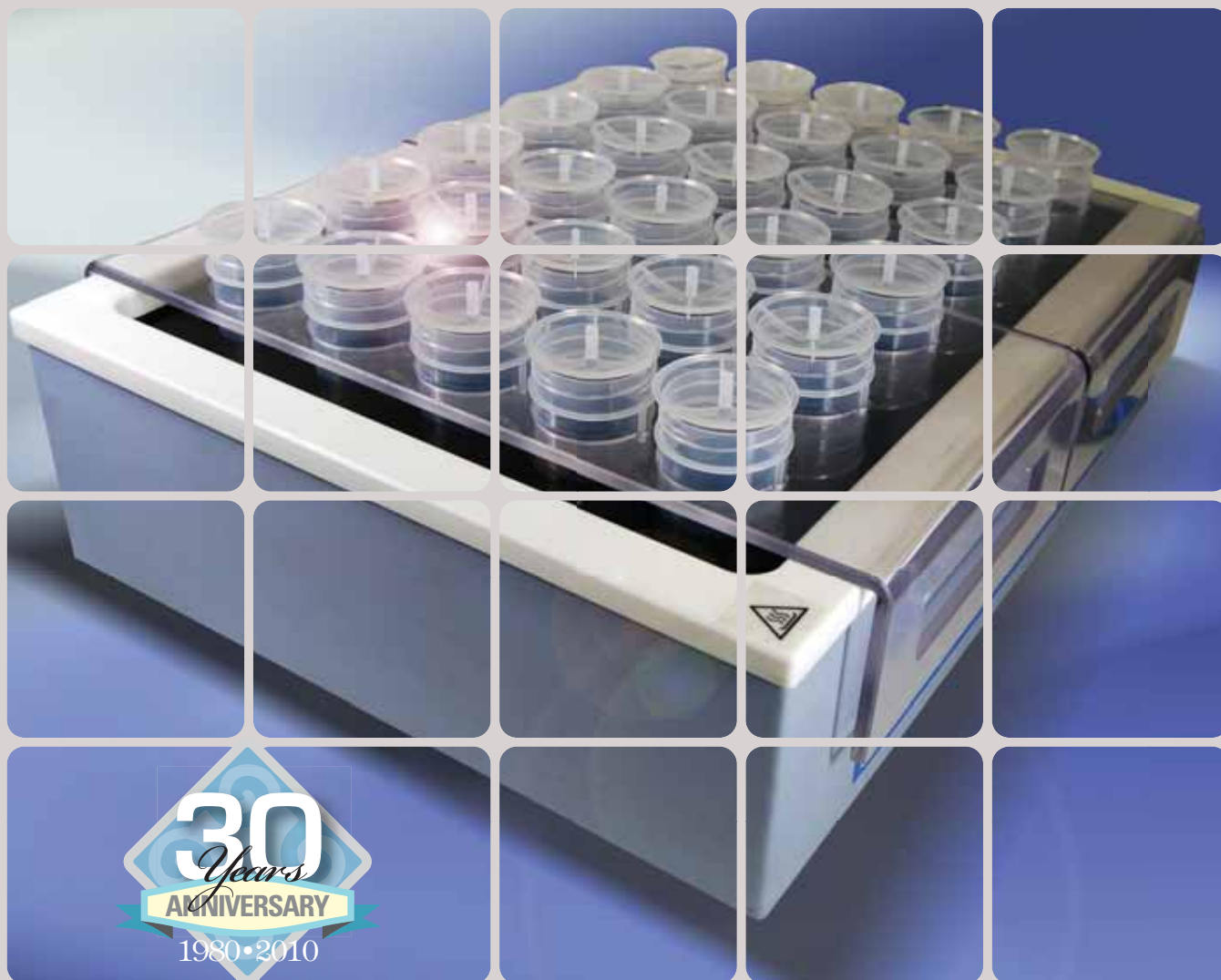
DigiPREP

Sample Preparation Made Easy

For HNO₃, HCl, HF Digestions

Metals, Hg, Total PO₄, Cr⁶⁺

and Many More...



SCP SCIENCE

Providing Innovative Solutions to Analytical Chemists

sales@scpscience.com • www.scpscience.com

Sample Preparation

The **DigiPREP** series of block digestion systems offers the latest in graphite block technology in many different packages. Graphite blocks are Teflon®-coated to resist aggressive, corrosive attack for guaranteed long life in harsh laboratory environments. Their non-metallic construction ensures no corrosion or sample contamination from the instrument.

There's a *DigiPREP* System for Every Workload:



DigiPREP LS*



DigiPREP MS*



DigiPREP Jr.*



DigiPREP MINI

*Systems require the use of KeyPad or Touch Screen controller

TUBE VOLUME	#Tube Capacity/Catalogue number			
	<i>DigiPREP</i> LS	<i>DigiPREP</i> MS	<i>DigiPREP</i> Jr.	<i>DigiPREP</i> MINI
50 ml	72 / 010-500-210	48 / 010-500-205	24 / 010-505-205	9 / 010-510-010
100 ml	42 / 010-501-250	30 / 010-501-230	12 / 010-501-210	—————

Controllers

KeyPad Controller

Catalogue number: (010-500-220)

Inputting operating parameters is made easy with the KeyPad controller. For use with *DigiPREP* Jr., **MS** and **LS**.

Programmable features include:

- Timer with shut-off option
- Temperature set-point to 0.1°C
- Alarm for end of segment
- Calibration routine for *DigiPROBE*



- Displays block or sample temperature*
- Displays actual time remaining in sequence
- Select from five languages
- Utilizes safety messages to prevent failure

* When used with *DigiPROBE*

Color Touch Screen Controller

Catalogue number: (010-500-250)

Includes all of the KeyPad controller features; plus:

- Store up to 12 methods
 - Each method offers 6 programmable steps of:
 - Time-to-Temperature
 - Time-at-Temperature
- View a graphical representation of the heating profile in real-time
 - Identify what step you're at in your method

- Includes built-in safety features and calibration parameters
 - Protect and increase the precision of the controller
- Select from 10 languages

- | | |
|---------|------------|
| English | French |
| German | Dutch |
| Italian | Portuguese |
| Spanish | Japanese |
| Chinese | Korean |



Accessories

DigiPROBE

Why use a thermometer to monitor and adjust sample temperature when the **DigiPROBE** automatically does the job? **DigiPROBE** provides direct control and monitoring of actual sample temperature via a corrosion-resistant, PFA-coated temperature probe. Available with different holders in a 6" configuration for use with 50 and 100 ml **DigiTUBEs** and beakers for **DigiPREP HP**. A 10" version is available for tall 100 ml glass tubes.

Description	Quantity	Catalogue Number
6" DigiPROBE (For 50 ml DigiTUBEs)	1	010-505-115
6" DigiPROBE (For 100 ml DigiTUBEs)	1	010-501-115
6" DigiPROBE (For beakers)	1	010-505-117
10" DigiPROBE (For beakers)	1	010-505-118
10" DigiPROBE (For 115 ml borosilicate glass tube)	1	010-505-116



DigiSET

Catalogue number: 010-500-014 for 50 ml / 010-501-014 for 100 ml

The **DigiSET** automatic shut-off system works with the **DigiPREP Jr., MS, LS** or **HP** to automatically shut down the **DigiPREP** system when a pre-determined sample volume is reached. Perfect for pre-concentration, evaporation methods or for unattended/overnight digestions.

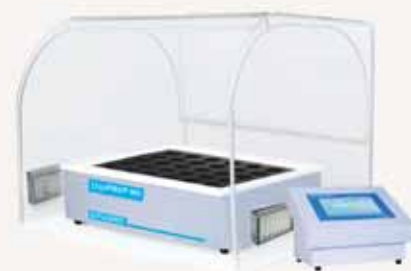


DigiPREP Fume Hood

Catalogue number: 010-500-039**

The **DigiPREP** bench-top Fume Hood is the right choice for trace-metal digestions. Made from clear, acid resistant Lexan with a Corian base, the **DigiPREP** Fume Hood eliminates the risk of trace-metal contamination from corroded fume hoods and other airborne contaminants. HEPA® filters ensure clean input air. The Fume Hood can be connected to an in-house laboratory exhaust system or used with the **DigiVAC** blower unit (010-500-033) to provide air suction.

***Also available in a taller size to accommodate an autosampler (Catalogue number 010-500-049)*



DigiVAC Hood

Catalogue number: 010-500-031

Move digestions out of the fume hood and free up valuable space with the **DigiVAC**. The **DigiVAC** provides uniform evaporation rates across all samples - no sample will go dry while others are still evaporating. For use with the **DigiPREP MS** or Classic systems.

DigiVAC blower

Catalogue number: 010-500-033

For use with **DigiVAC** Hood and **DigiPREP** Fume Hood (Cat. No's. 010-500-039 or 010-500-049).



Consumables

DigiTUBEs - The Cleanest Digestion Tubes on the Market

50 ml **DigiTUBEs** fit many common autosamplers, so there is no need to transfer samples.
 100 ml **DigiTUBEs** are ideal for sample evaporation. In fact, these single-use, all-in-one vessels eliminate the need for five separate vessels: Digestion beakers, volumetric flasks, graduated cylinders, autosampler tubes and storage containers.



Features:

- Transparent with easy-to-read graduations
- Accurate 50 or 100 ml graduation is calibrated to meet Class A specifications
- Leak-free screw cap
- RackLock design allows for easy one-handed closure of the screw cap
- Flat bottom for optimum heat transfer

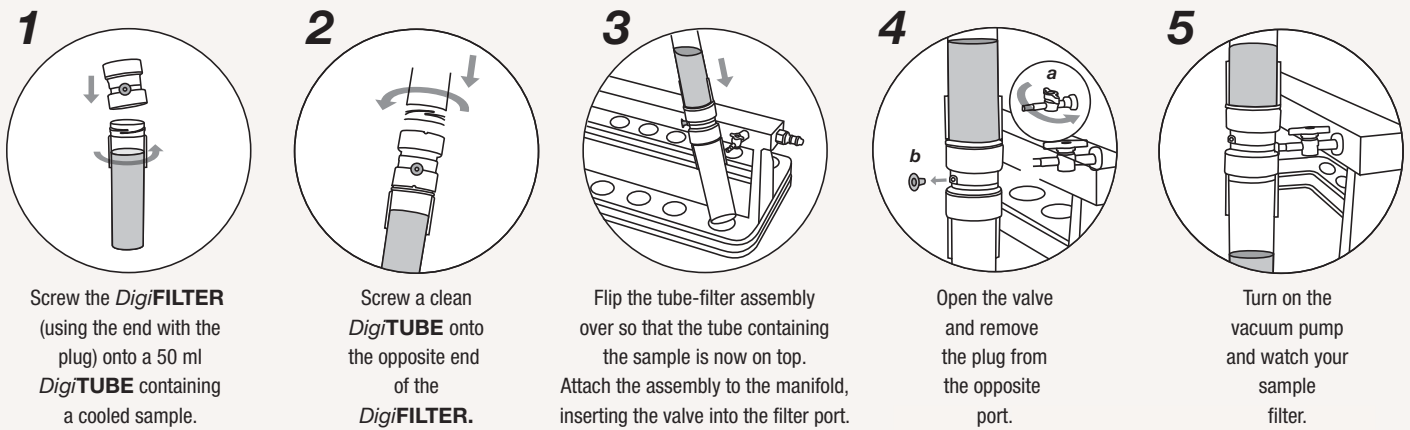
Description	Packaging	Quantity	Catalogue Number
50 ml DigiTUBEs - w/ RackLOCK and blue caps*	Bulk	750	010-500-261
50 ml DigiTUBEs - w/o RackLOCK and blue caps*	Bulk	750	010-500-263
Watch Glasses Polypropylene ribbed w/ "handle" for 50 ml tubes	Dispenser boxes	1000	010-500-081
100 ml DigiTUBEs - w/ RackLOCK and blue caps	Bulk	300	010-501-261
100 ml DigiTUBEs - w/o RackLOCK and blue caps	Bulk	300	010-501-263
Watch Glasses Polypropylene ribbed w/ "handle" for 100 ml tube	Dispenser boxes	500	010-501-081

* 5 different cap colors available for 50 ml **DigiTUBEs**: Clear, yellow, red, orange and blue. Sold separately.

DigiFILTERs - Filter Particulates Prior to Sample Analysis

* Only available for 50 ml **DigiTUBEs**

Catalogue number: 0.45 µm **DigiFILTER**: 010-500-070 (Pk/100) • 1.0 µm **DigiFILTER**: 010-500-080 (Pk/100)



Description	Packaging	Quantity	Catalogue Number
DigiFILTER - 0.45 micron	Bulk	100	010-500-070
DigiFILTER - 1.0 micron	Bulk	100	010-500-080
DigiFILTER Manifold - 12 position	-	Each	010-500-230
DigiFILTER Manifold - 4 position	-	Each	010-500-234



SCP SCIENCE

ORDER ONLINE: www.scpscience.com • Email: sales@scpscience.com

U.S.A.

Tel.: (800) 361-6820
 Fax: (800) 253-5549

Canada / International

Tel.: (800) 361-6820 / +1 (514) 457-0701
 Fax: (800) 253-5549 / +1 (514) 457-4499

Europe

Tel.: +33 (0) 1 69 18 71 17
 Fax: +33 (0) 1 60 92 05 67

China

Tel.: +86 (10) 58032301
 Fax: +86 (10) 58032302