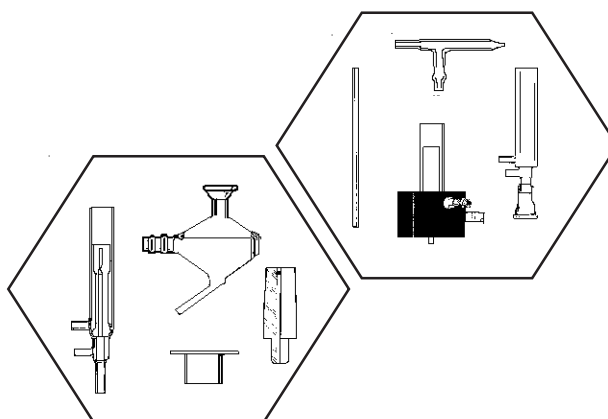


Listing of Equivalent Items available from **CHOICE ANALYTICAL** for use on AGILENT ICP instrumentation

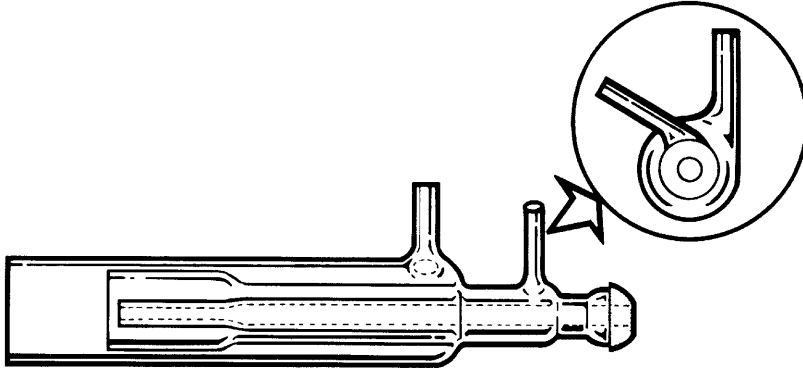


Glass & Consumables Listing for Agilent ICP-MS for illustrations of items see following page/s

Agilent Part No.	Part No. CHOICE	Description
G1820-65028	900-05	Torch 4500 Quartz 2.5mm Injector
G1823-65012	TCH-4500/1.5	Torch 4500 Quartz 1.5mm injector
G1833-65423	900-06	Torch 7500 Quartz 2.5 mm Injector, same item as G 1833-80083-01
G1820-80083-01	900-06	Torch Body Quartz HF demountable, same item as G 1833-65423
G1833-65424	900-07	Torch Quartz 1.5mm ID
G1833-65425	900-06C	Torch Quartz 1.0mm ID
G1820-65035	900-08	Torch Body Quartz HF demountable
G1833-65422	900-09	Torch Inert Demountable (HP7500)
	900-10	Spray Chamber Borosilicate 180°
G1820-65336	900-11	Spray Chamber 90°
	900-12	Spray Chamber Quartz 180°
G1820-65337	900-13	Spray Chamber Quartz 90°, same item as G 1820-80443
G1820-80443	900-13	Spray Chamber Quartz 90°, same item as G 1820-65337
G1820-80417	900-14	Spray Chamber Quartz 90°, Extended inner tube
G1820-65339	900-14	Spray Chamber Quartz 90°, Extended inner tube
	900-15	Spray Chamber Cyclonic Borosilicate
G1820-65026	BON-7500	Bonnet 4500/7500
	900-16	Spray Chamber Cyclonic
	900-16Q	Spray Chamber Cyclonic Quartz
	900-20	Alumina Injector Tube
	900-20Q	Quartz Injector
G1820-65015	900-30	Teflon Injector Holder
	900-31	Socket Adapter Borosilicate
	900-32	Socket Adapter Quartz
	SAQ-EXT	Socket Adapter Quartz, extended 1/4" section
	TIS	Teflon Injector Support
	900-35	Ball Adapter Borosilicate
	900-36	Ball Adapter Quartz
G1820-80237	900-38	Ball & Socket Adapter 4500 Quartz
G1833-65426	900-39	Ball & Socket Adapter 7500 Quartz, 82mm
G1833-65421	BON-7500F	Bonnet 4500/7500 with Flange
G1820-65497	BON-7500P	Bonnet 4500/7500 with alignment projection
	500-92	Fixed Cross-Flow Nebulizer
G1820-65033	500-93	Fixed Cross-Flow Nebulizer, High Solids
	510-50	Babbington V-Groove

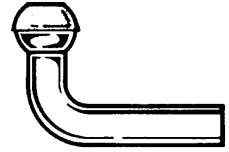
For a list of **Nebulizers** both **Genuine J.E. Meinhard** as well as **"Clone" type**, and other types, see separate sheet.

For Agilent instrumentation



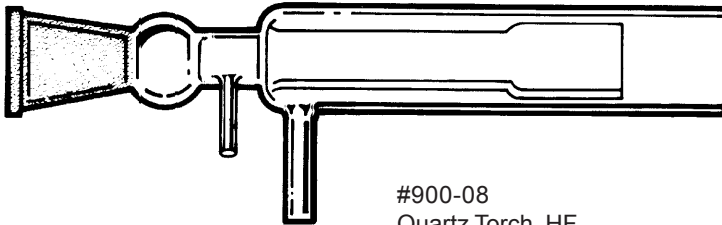
#900-05
4500 Quartz Torch, 2.5 Injector

#900-06
7500 Quartz Torch, 2.5 Injector

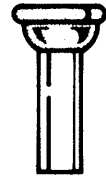


#900-35
Ball Adapter, Borosilicate

#900-36
Ball Adapter, Quartz



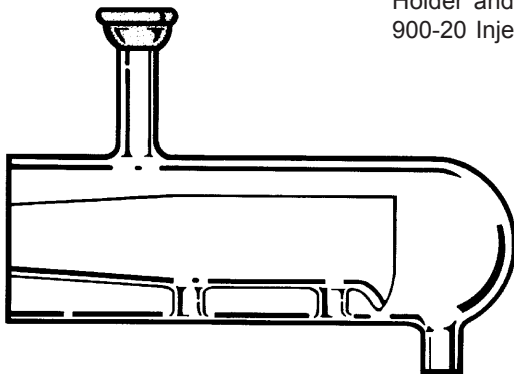
#900-08
Quartz Torch, HF,
demountable
(requires #900-30 Injector
Holder and
900-20 Injector Tube)



#900-31
Socket Adapter, Borosilicate

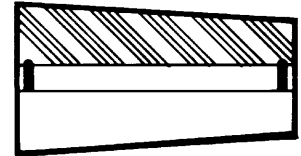
#900-32
Socket Adapter, Quartz

#900-33
Socket Adapter, Quartz
with extended 1/4" section



#900-10
Spray Chamber, Borosilicate

#900-12
Spray Chamber, Quartz



#900-30
Teflon Injector Holder



900-20
Injector Tube Alumina
for Torch #900-08

AGILENT ICP Quartz Glass Items [w] Page 2(2) 29/10/2007



CHOICE Analytical Pty Ltd

ABN 66 052 203 719

Supplies for Laboratory Instruments

Tel : + 61 2 9980 6240

Fax : + 61 2 9980 6344

E-mail : info@choiceanalytical.com.au

Web : www.choiceanalytical.com.au