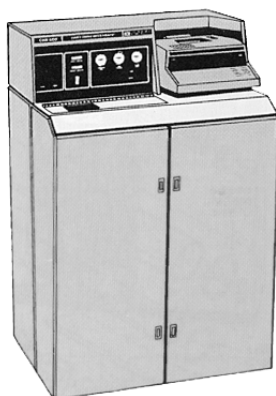
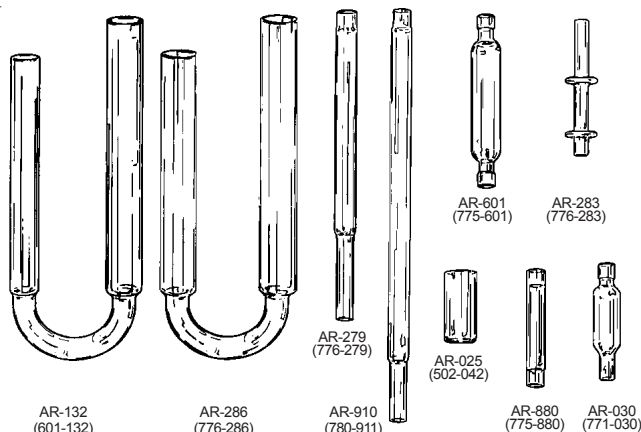


Listing of Equivalent Items  
available from **CHOICE ANALYTICAL** for use on:-

## Quartzware and Glassware



LECO CHN-600

AR-132  
(601-132)AR-286  
(776-286)AR-910  
(780-911)AR-601  
(775-601)AR-283  
(776-283)AR-025  
(502-042)AR-880  
(775-880)AR-030  
(771-030)

## Consumables Listing for LECO CHN-600

LECO Part No.	Part No. CHOICE	Description	Unit of Sale
501-045	AEC-4007	Silica Crucible	each
501-059	AR-059	Tin Capsules 14x5 mm	100/btl
501-077	CA-077	Iron Chip	908gm=21b
501-081	AR-081	Glass Wool	454gm=1lb
501-171	CA-171	Anhydrone	454gm=1lb
501-241	AR-241	Silicone Grease	5.3oz
501-426	CA-426	Comb. Control for Solids	454gm=1lb
501-427	CA-427	Comb. Control for Liquids	454gm=1lb
501-571	AR-571	Copper Capsules 18x5.8mm	100/btl
501-608	AR-1608	Quartz Wool Wadding	200gm
501-609	AR-615	Furnace Reagent	100gm
501-621	AR-621	Copper Turnings	200gm
501-636	AR-636	Vanadium Pentoxide	250gm
501-673	AR-673	Iron Chips	454=1lb
502-005	AR-1205	Pipette Brush	each
502-007	AR-2189	Tube Cleaner 8mm x 4ft	each
502-008	AR-570	Tin Plug for AR-571	150/btl
	AR-570T	Plug Insertion Tool	each
502-023	AR-473	Funnel for Reagent Tube	each
502-040	AR-2166	Tin Capsule Large 17x6mm	100/btl
502-042	AR-025	Large Quartz Crucible	each
502-049	CA-049	Reagent N Catalyst	50gm
502-092	AR-2092	EDTA Standard	50gm
502-141	AEB-4000	Tungsten Oxide Accelerator	10gm
502-167	AR-2167	Tin Capsules XL 20x8mm	100/btl
502-174	CA-2174	CA-sorb A (14-20 mesh) 500 gm	500gm
502-177	AR-177	Fine Quartz Wool	28gm=1oz
502-181	AR-2181	Tungstic Oxide, granular	60gm
502-186	CA-2186	Tin Foil Cup	100/btl
502-187	AR-2187	Tin Capsules 9x3.7mm	100/btl
502-188	AR-2188	Aluminium Oxide Pellets	200gm
502-189	CA-189	Copper Sticks Reduced (Ampule)	100gm
502-190	AEB-1002	Copper Oxide Fine Wires	50gm
502-227	ATD-1000	Tin Capsules 4x3.2mm	500/btl
502-231	AR-673	Hi Purity Iron Chip	454gm=1lb
502-295 see 501-621		Copper turnings (smaller pack of 501-621)	
502-304	AR-2304	Copper Sticks (Jar)	100gm
502-310	AR-2310	Steel Wool	1lb=454gm
502-338	AR-338	AlphaGel Caps	400/btl

ctd. page 2



**CHOICE Analytical Pty Ltd**

Supplies for Laboratory Instruments

Tel : + 61 2 9980 6240

Fax : + 61 2 9980 6344

E-mail : [info@choiceanalytical.com.au](mailto:info@choiceanalytical.com.au)Web : [www.choiceanalytical.com.au](http://www.choiceanalytical.com.au)

ABN 66 052 203 719

## Consumables Listing for LECO CHN-600

LECO Part No.	Part No. CHOICE	Description	Unit of Sale
502-295 see 501-621		Copper turnings (smaller pack of 501-621)	
502-304	AR-2304	Copper Sticks (Jar)	100gm
502-310	AR-2310	Steel Wool	1lb=454gm
502-338	AR-338	AlphaGel Caps	400/btl
503-032	AR-901	Glass Scoop	each
529-026	AR-026	Crucible (CHN/FP)	50/pkt
529-055	AR-055	Crucible larger size	50/pkt
537-103	AR-103	PolyFlo Tubing	per foot
537-153	AR-153	Ferrules Nylon for AR-103	each
589-551	AR-422	O Ring Piston Seal	each
601-132	AR-132	Combustion "U" Tube	each
601-133	AR-1133	O Ring	each
601-437	AR-437	Quartz Catalyst Tube	each
601-442	AR-442	O Ring Reduction Heater	each
601-482	AR-482	Honeycomb Support	each
601-490	AR-6490	Foiler Device (use w/502-186)	each
604-541	AEC-4033	Lance	each
605-828	AR-828	O Ring Red/Ox Tube Bottom	each
605-830	AR-830	O Ring Red/Ox Tube Top	each
606-327	AR-6327	Gas Dessicator Tube	each
606-333	AR-6333	O Ring	each
606-403	AR-403	Brush Collection Assy	each
608-379	CA-8379	Quartz Wool Strips	Pk/10
760-224	AR-224	O Ring	each
761-484	AR-1000	Printer Ribbon	each
761-651	AR-1609	O Ring Lance Tube	each
761-747	AR-611	Schutztes Reagent	100gm
761-822	AR-1000	Tool Kit	kit
763-265 see 501-081		Glass Wool SOLD ONLY 1 lb size, see 501-081	763-265 = 1/2 lb
768-980	AR-980	Particle Filter	each
770-778	AR-778	Ribbon Spool Assy.	each
771-030	AR-030	Bubble Filter Tube 4" = 102 mm	each
772-269	AR-269	O Ring	each
772-520	AR-520	O Ring	each
772-738	AR-738	O Ring	each
772-910	AR-2910	O Ring Piston Seal	each
773-320	AR-320	O Ring	each
773-913	AR-3913	O Ring Loading Head	each
774-425	AR-432	O Ring	each
774-638	AR-638	Disconnect Tube 6" = 152 mm	each
775-306	AR-5306	Mesh Filter	each
775-314	AR-314	O Ring	each
775-601	AR-601	Reagent Tube (left) 6" = 152 mm	each
775-880	AR-880	Disconnect Tube 4" = 102 mm	each
776-279	AR-279	Catalyst Heater Tube	each
776-283	AR-283	Quartz Lance	each
776-284	AR-284	O Ring Combustion Tube	each
776-286	AR-286	Combustion "U" Tube	each
776-297	AEC-4006	Purification Tube	each
778-114	AR-8114	O Ring	each
778-116	AR-8116	O-Ballast	each
778-120	AR-781	Ballast Gasket	each
780-899	AR-899	Honeycomb Stop	each
780-911	AR-910	Catalyst Heater Tube	each

A complete range of organic standards and tin and silver capsules for microanalysis is available. Please enquire with your requirements



**CHOICE Analytical Pty Ltd**

ABN 66 052 203 719

Supplies for Laboratory Instruments

Tel : + 61 2 9980 6240

Fax : + 61 2 9980 6344

E-mail : [info@choiceanalytical.com.au](mailto:info@choiceanalytical.com.au)

Web : [www.choiceanalytical.com.au](http://www.choiceanalytical.com.au)