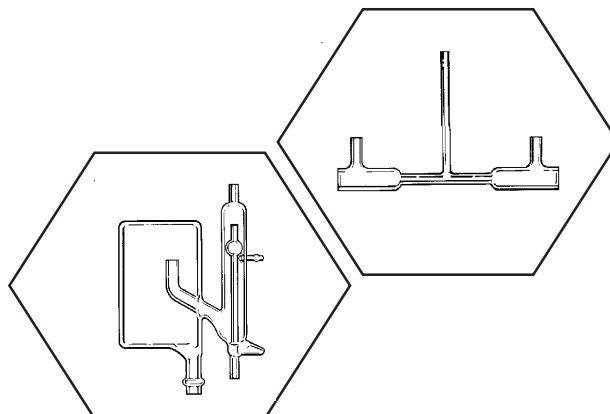


Listing of Equivalent Items available from **CHOICE ANALYTICAL** for use on VARIAN AAS & HYDRIDE VAPOUR GENERATION instrumentation



Glassware & Consumables Listing for Varian AAS and Hydride Vapour Generation etc. For illustrations of items see following page.

In sequence of

VARIAN Part No.	Part No. Choice	Description
-----------------	-----------------	-------------

Sample Cups

	AAA-1001	Polystyrene 2ml Conical (pkt/1000)
99-100282-00	AAA-2011	Polyethylene 2ml Conical (pkt/1000)

Polyethylene sample cups are recommended for organic & acidic samples.

Quartz Atom Concentrator Tube & Hydride Glassware etc.

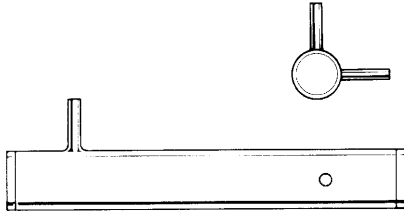
99-100711-00	1300-65	Gas / Liquid Separator VGA-77
99-100402-00	1300-40	Gas / Liquid Separator VGA-76
99-100544-00	1300-60	Quartz AtomConcentrator Tube ACT-80
99-100407-00	1300-30	Quartz Flow Cell Hg for VGA-76/77
01-102551-00	1300-45	Quartz Cell Hg Flow Cell for M-65
99-100400-00	1300-35	Quartz Cell Hydride Absorption VGA-76
01-102576-90	1300-50	Quartz Absorption Cell for M-65
99-100583-00	1300-55	Quartz CFlow Cell for MCA-90

Deuterium Lamp & Photomultiplier Lamp As

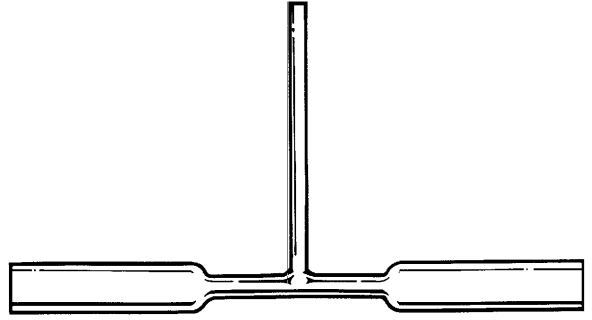
56-101215-00	P-706	D2 Lamp Spectra AA & x-75
61-901761-00	4085-08	Photomultiplier Tube, Arsenic

ctd. page 2

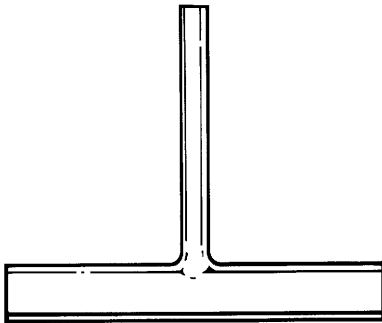
For Varian instrumentation



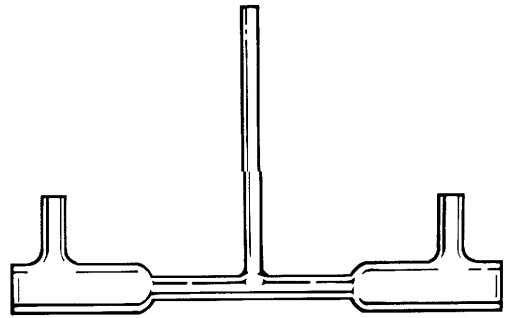
#1300-30 (99-100407-00)
Varian, Quartz Cell/VGA-76
#1300-45 (01-102551-00)
Varian, Quartz Cell/M-65



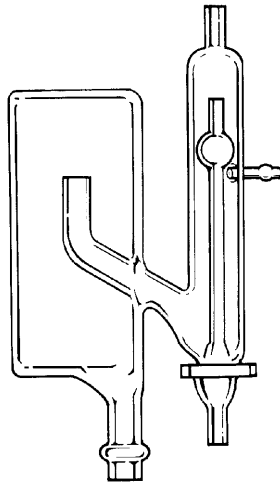
#1300-35 (99-100400-00)
Varian, Quartz Cell, Hydride Absorption



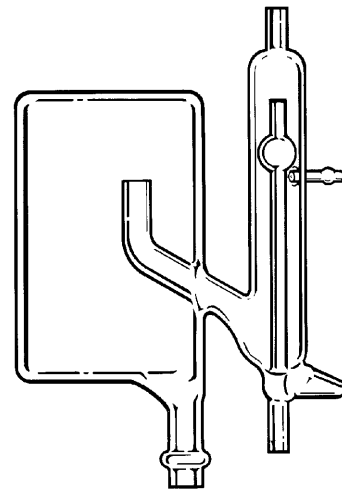
#1300-50 (01-102576-90)
Varian, Quartz Absorption Cell



#1300-55 (99-100583-00)
Varian, Quartz Flow-Through Cell

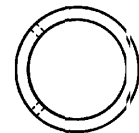
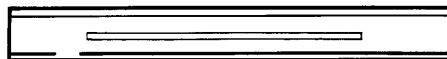


#1300-65 (99-100711-00)
Varian, Gas/Liquid Separator/VGA-77



#1300-40 (99-100402-00)
Varian, Gas/Liquid Separator/VGA-76

#1300-60 (each)
(99-100544-00) (pack of 10)
Varian, Quartz Atom
Concentrator Tube



Varian AAS Consumables [w] Page 2(2) 29/10/2007



CHOICE Analytical Pty Ltd

ABN 66 052 203 719

Supplies for Laboratory Instruments

Tel : + 61 2 9980 6240

Fax : + 61 2 9980 6344

E-mail : info@choiceanalytical.com.au

Web : www.choiceanalytical.com.au